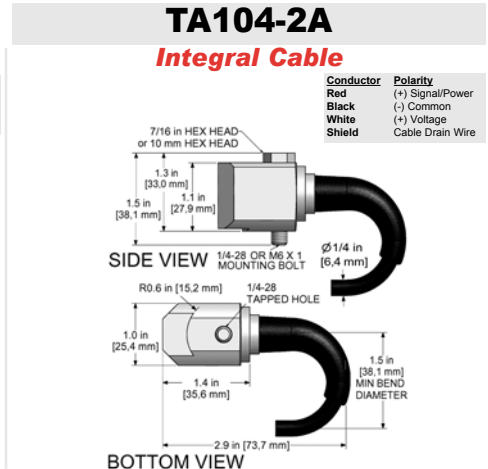
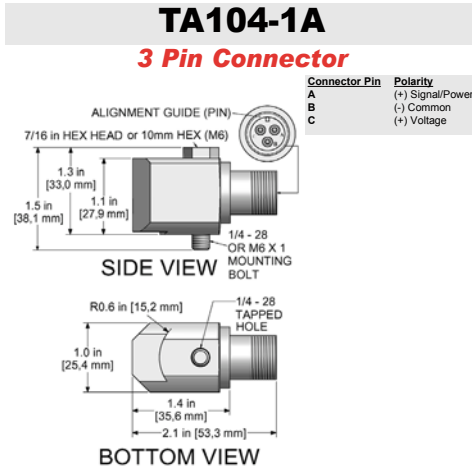


TA104 Series

Dual Temperature / Acceleration Output, Side Exit Connector / Cable, 100 mV/g, 10 mV/°C



| | | |
|---|--|---|
| <p>Part Numbers & Ordering Information:</p> <p>When Ordering Metric, add "M" prefix. (Example: M/TA104-2A/010-Z)</p> | <p>TA104-1A Dual temperature acceleration output, 100 mV/g 10 mV/°C, 3 pin side connector</p> | <p>TA104-2A/010-Z 10 ft. (3 m), blunt cut end</p> <p>TA104-2A/020-Z 20 ft. (6 m), blunt cut end</p> <p>TA104-2A/030-Z 30 ft. (9 m), blunt cut end</p> <p>TA104-2A/050-Z 50 ft. (15 m), blunt cut end</p> <p>TA104-2A/100-Z 100 ft. (30 m), blunt cut end</p> |
| | * Custom Lengths Available Upon Request | |

| Performance Specifications | English | Metric | Environmental | English | Metric |
|--------------------------------------|----------------------|----------------------|-------------------------------------|----------------------|----------------------|
| Sensitivity ±10% | 100 mV/g | 100 mV/g | Temperature Range | -40 to 250° F | -40 to 121° C |
| Frequency Response | | | Maximum Shock Protection | 5,000 g, peak | 5000 g, peak |
| ±3 dB | 30-600,000 CPM | 0.5-10000 Hz | Electromagnetic Sensitivity | CE | CE |
| ±10% | 120-300,000 CPM | 2.0-5000 Hz | Sealing | Welded, Hermetic | Welded, Hermetic |
| Dynamic Range | ±50 g, peak | ±50 g, peak | Submersible Depth (TA104-2A) | 500 ft. | 152 m |
| Temperature Measurement Range | 36.5° to 250° F | 2.5° to 121° C | Physical | | |
| Electrical | | | Sensing Element | PZT Ceramic | PZT Ceramic |
| Settling Time (Turn on Time) | | | Sensing Structure | Shear Mode | Shear Mode |
| @ Room Temp (68°F/20°C) | <2.5 Seconds | <2,5 Seconds | Weight | 5.6 oz. | 160 grams |
| Power Requirement | | | Case Material | 316L Stainless Steel | 316L Stainless Steel |
| Voltage Source | 18-30 VDC | 18-30 VDC | Mounting Hole | 1/4-28 | 1/4-28 |
| Constant Current Excitation | 2-10 mA | 2-10 mA | Connector (TA104-1A) | 3 Pin MIL-C-5015 | 3 Pin MIL-C-5015 |
| Electrical Noise (Typical) | | | Integral Cable (TA104-2A) | CB105 | CB105 |
| Broadband 2.5 Hz to 25 kHz | 200 σg, rms | 200 σg, rms | Mechanical | | |
| Spectral 10 Hz | 14 σg/√Hz | 14 σg/√Hz | Resonant Frequency | 1,320,000 CPM | 22000 Hz |
| 100 Hz | 2.3 σg/√Hz | 2.3 σg/√Hz | Mounting Torque | 2 to 5 ft. lbs. | 2.7 to 6,8 Nm |
| 1000 Hz | 2 σg/√Hz | 2 σg/√Hz | Supplied Accessories | | |
| Output Impedance, Max | <100 ohm | <100 ohm | Mounting Hardware | 1/4-28 Captive Bolt | M6x1 Captive Bolt |
| Bias Output Voltage | 10-14 VDC | 10-14 VDC | Calibration Certificate | CA10 | CA10 |
| Electrical Case Isolation | >10 ⁸ ohm | >10 ⁸ ohm | | | |

Common Applications

Industries Served

- Automotive
- Pulp and Paper

- Manufacturing
- Steel

- Pharmaceutical
- Wastewater Treatment

- Power

Typical Applications

- Air Handlers
- Fourdriniers
- Pumps, Underwater

- Conveyors
- Gear Boxes
- Roll and Process Equipment

- Dryer Sections <250° F (121° C)
- Motors
- Spindles

- Fans
- Press Sections
- Pumps

Measurement Types

- Permanent Mount

For optional accessories, please see the *Sensor Accessory Selection Chart*.



VIBRATION ANALYSIS HARDWARE