

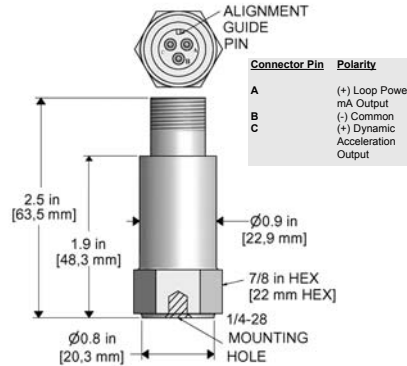
LP404 Series

Dual Output Sensor Loop Power 4-20 mA Acceleration, Dynamic Acceleration



LP404-XXX-1A

3 Pin Connector



LP404-XXX-2A

Integral Cable



How To Order - Select the desired parameters using the selection guide below.

Example Part #: LP404-1R2-1A (Supplied with 1/4-28 Stud)

Example Metric Part #: M/LP404-1R2-1A (Supplied with M6x1 Adapter Stud)

Example Integral Cable Part #: LP404-1R2-2A/010-Z (Supplied with 1/4-28 Stud)

Selection Guide

Part #: / LP404 - - - A / - Z

| | | | | | |
|----------------------------------|---|---------------------|---|---|--|
| Stud Type | Measurement Range | Range Type | Frequency Range +/-3dB | Style | Cable Length |
| M = Metric (Blank for 1/4-28) | 1 = 0-1 g 2 = 0-2 g 5 = 0-5 g 10 = 0-10 g 20 = 0-20 g | R = RMS P = Peak | 1 = 600-60,000 CPM (10-1000 Hz) 2 = 180-150,000CPM (3-2500 Hz) | 1 = 3 Pin MIL (C-5015) 2 = Integral Cable, CB105 | 010 = 10 ft. (3 m) 020 = 20 ft. (6 m) 030 = 30 ft. (9 m) 050 = 050 ft. (15 m) 100 = 100 ft. (30 m) <i>* Custom Lengths Available Upon Request</i> |

For Integral Cable Sensors Add this Section / Select Length

| Performance Specifications | English | Metric | Physical | English | Metric |
|---|----------------------|----------------------|-------------------------------|----------------------|----------------------|
| Output, 4-20 mA | | | Sensing Element | PZT Ceramic | PZT Ceramic |
| Measurement Range | See Selection Guide | See Selection Guide | Sensing Structure | Shear Mode | Shear Mode |
| Dynamic Output, Acceleration | | | Weight (without cable) | 3.7 oz. | 105 grams |
| Sensitivity ±10% | 100 mV/g | 100 mV/g | Case Material | 316L Stainless Steel | 316L Stainless Steel |
| Frequency Response ±3dB | 120-900,000 CPM | 2,0-15000 Hz | Mounting Hole | 1/4-28 | 1/4-28 |
| Electrical | | | Connector (LP404-XXX-1A) | 3 Pin MIL-C-5015 | 3 Pin MIL-C-5015 |
| Settling Time (Turn on Time) @ Room Temp (68°F/20°C) | <60 Seconds | <60 Seconds | Integral Cable (LP404-XXX-2A) | CB105 | CB105 |
| Power Requirement (Loop Powered) Voltage Source | 18-28 VDC | 18-28 VDC | Mechanical | | |
| Electrical Case Isolation | >10 ⁸ ohm | >10 ⁸ ohm | Mounting Torque | 2 to 5 ft. lbs. | 2,7 to 6,8 Nm |
| Environmental | | | Supplied Accessories | | |
| Temperature Range | -40 to 185° F | -40 to 85° C | Mounting Hardware | 1/4-28 Stud | M6x1 Adapter Stud |
| Electromagnetic Sensitivity | CE | CE | Calibration Certificate | CA10 | CA10 |
| Sealing | Welded, Hermetic | Welded, Hermetic | | | |
| Submersible Depth (LP404-XXX-2A) | 500 ft. | 152 m | | | |

For optional accessories, please see the *Sensor Accessory Selection Chart*.



VIBRATION ANALYSIS HARDWARE