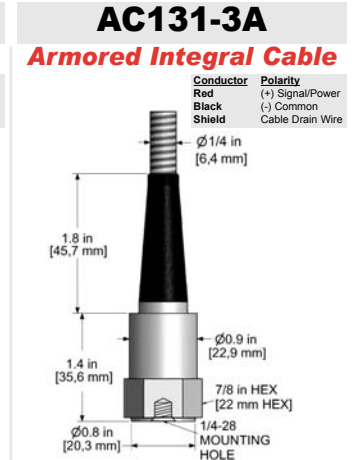
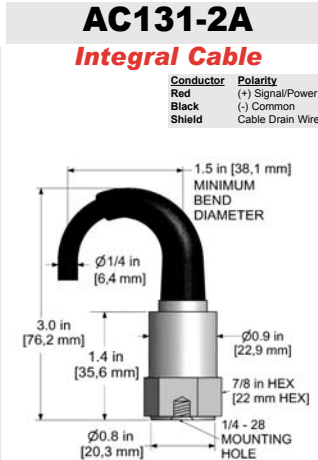
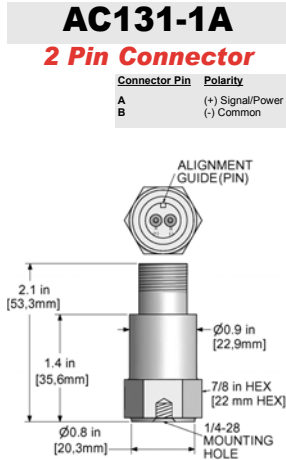


AC131 Series

High g Accelerometer, Top Exit Connector / Cable, 10 mV/g



<p>Part Numbers & Ordering Information:</p> <p>When Ordering Metric, add "M" prefix. (Example: M/AC131-2A/010-Z)</p>	<p>AC131-1A High g accelerometer, 10 mV/g, 2 pin top connector</p>	<p>AC131-2A/010-Z 10 ft. (3 m), blunt cut end</p> <p>AC131-2A/020-Z 20 ft. (6 m), blunt cut end</p> <p>AC131-2A/030-Z 30 ft. (9 m), blunt cut end</p> <p>AC131-2A/050-Z 50 ft. (15 m), blunt cut end</p> <p>AC131-2A/100-Z 100 ft. (30 m), blunt cut end</p> <p>AC131-2A/010-F 10 ft. (3 m), BNC plug connector</p> <p>AC131-2A/020-F 20 ft. (6 m), BNC plug connector</p> <p>AC131-2A/030-F 30 ft. (9 m), BNC plug connector</p> <p>AC131-2A/050-F 50 ft. (15 m), BNC plug connector</p> <p>AC131-2A/100-F 100 ft. (30 m), BNC plug connector</p>	<p>AC131-3A/010-Z 10 ft. (3 m), blunt cut end</p> <p>AC131-3A/020-Z 20 ft. (6 m), blunt cut end</p> <p>AC131-3A/030-Z 30 ft. (9 m), blunt cut end</p> <p>AC131-3A/050-Z 50 ft. (15 m), blunt cut end</p> <p>AC131-3A/100-Z 100 ft. (30 m), blunt cut end</p> <p>AC131-3A/010-F 10 ft. (3 m), BNC plug connector</p> <p>AC131-3A/020-F 20 ft. (6 m), BNC plug connector</p> <p>AC131-3A/030-F 30 ft. (9 m), BNC plug connector</p> <p>AC131-3A/050-F 50 ft. (15 m), BNC plug connector</p> <p>AC131-3A/100-F 100 ft. (30 m), BNC plug connector</p>
	<p>* Custom Lengths Available Upon Request</p>		

Performance Specifications	English	Metric	Environmental	English	Metric
Sensitivity ±10%	10 mV/g	10 mV/g	Temperature Range	-58 to 250° F	-50 to 121° C
Frequency Response			Maximum Shock Protection	5,000 g, peak	5000 g, peak
±3 dB	72-900,000 CPM	1,2-15000 Hz	Electromagnetic Sensitivity	CE	CE
±10%	150-360,000 CPM	2,5-6000 Hz	Sealing	Welded, Hermetic	Welded, Hermetic
Dynamic Range	±500 g, peak	±500 g, peak	Submersible Depth (AC131-2A)	500 ft.	152 m
Electrical			Physical		
Settling Time (Turn on Time)			Sensing Element	PZT Ceramic	PZT Ceramic
@ Room Temp (68°F/20°C)	<2 Seconds	<2 Seconds	Sensing Structure	Shear Mode	Shear Mode
Power Requirement			Weight	3.2 oz.	90 grams
Voltage Source	18-30 VDC	18-30 VDC	Case Material	316L Stainless Steel	316L Stainless Steel
Constant Current Excitation	2-10 mA	2-10 mA	Mounting Hole	1/4-28	1/4-28
Electrical Noise (Typical)			Connector (AC131-1A)	2 Pin MIL-C-5015	2 Pin MIL-C-5015
Broadband 2.5 Hz to 25 kHz	3800 σg, rms	3800 σg, rms	Integral Cable (AC131-2A)	CB103	CB103
Spectral 10 Hz	500 σg/√Hz	500 σg/√Hz	Armored Cable (AC131-3A)	CB206, Armor Jacket	CB206, Armor Jacket
100 Hz	65 σg/√Hz	65 σg/√Hz	Mechanical		
1000 Hz	11 σg/√Hz	11 σg/√Hz	Resonant Frequency	1,500,000 CPM	25000 Hz
Output Impedance, Max	<100 ohm	<100 ohm	Mounting Torque	2 to 5 ft. lbs.	2,7 to 6,8 Nm
Bias Output Voltage	10-14 VDC	10-14 VDC	Supplied Accessories		
Electrical Case Isolation	>10 ⁸ ohm	>10 ⁸ ohm	Mounting Hardware	1/4-28 Stud	M6x1 Adapter Stud
			Calibration Certificate	CA10	CA10

Common Applications

Industries Served

- | | | | |
|---|---|---|--|
| <ul style="list-style-type: none"> Automotive Petrochemical Steel | <ul style="list-style-type: none"> Manufacturing Pharmaceutical Wastewater Treatment | <ul style="list-style-type: none"> Military Power | <ul style="list-style-type: none"> Mining Pulp and Paper |
| <h4>Typical Applications</h4> <ul style="list-style-type: none"> Air Compressors Shaker Screens | <ul style="list-style-type: none"> Air Handlers Spindles | <ul style="list-style-type: none"> Gear Boxes | <ul style="list-style-type: none"> Pumps, Underwater |
| <h4>Measurement Types</h4> <ul style="list-style-type: none"> Permanent Mount | <ul style="list-style-type: none"> Portable | | |

For optional accessories, please see the *Sensor Accessory Selection Chart*.



VIBRATION ANALYSIS HARDWARE