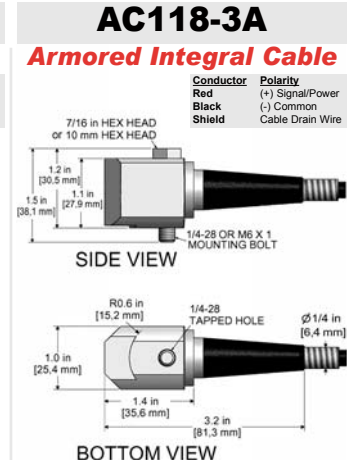
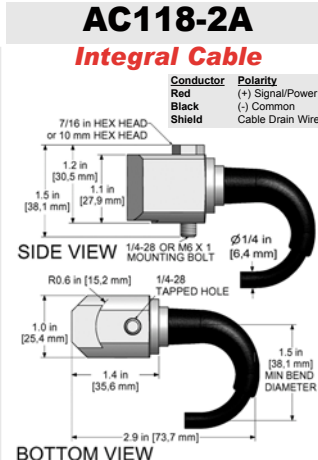
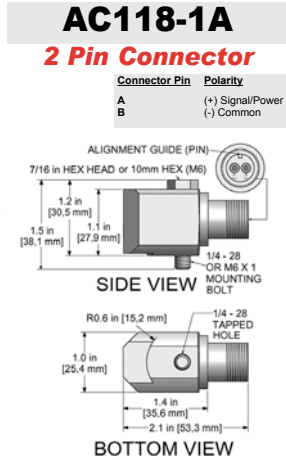


AC118 Series

Multi-Purpose Accelerometer, Side Exit Connector / Cable, 50 mV/g



<p>Part Numbers & Ordering Information:</p> <p>When Ordering Metric, add "M" prefix. (Example: M/AC118-2A/010-Z)</p>	<p>AC118-1A Multi-Purpose accelerometer, 2 pin side connector, 50 mV/g</p>	<p>AC118-2A/010-Z 10 ft. (3 m), blunt cut end</p> <p>AC118-2A/020-Z 20 ft. (6 m), blunt cut end</p> <p>AC118-2A/030-Z 30 ft. (9 m), blunt cut end</p> <p>AC118-2A/050-Z 50 ft. (15 m), blunt cut end</p> <p>AC118-2A/100-Z 100 ft. (30 m), blunt cut end</p> <p>AC118-2A/010-F 10 ft. (3 m), BNC plug connector</p> <p>AC118-2A/020-F 20 ft. (6 m), BNC plug connector</p> <p>AC118-2A/030-F 30 ft. (9 m), BNC plug connector</p> <p>AC118-2A/050-F 50 ft. (15 m), BNC plug connector</p> <p>AC118-2A/100-F 100 ft. (30 m), BNC plug connector</p>	<p>AC118-3A/010-Z 10 ft. (3 m), blunt cut end</p> <p>AC118-3A/020-Z 20 ft. (6 m), blunt cut end</p> <p>AC118-3A/030-Z 30 ft. (9 m), blunt cut end</p> <p>AC118-3A/050-Z 50 ft. (15 m), blunt cut end</p> <p>AC118-3A/100-Z 100 ft. (30 m), blunt cut end</p> <p>AC118-3A/010-F 10 ft. (3 m), BNC plug connector</p> <p>AC118-3A/020-F 20 ft. (6 m), BNC plug connector</p> <p>AC118-3A/030-F 30 ft. (9 m), BNC plug connector</p> <p>AC118-3A/050-F 50 ft. (15 m), BNC plug connector</p> <p>AC118-3A/100-F 100 ft. (30 m), BNC plug connector</p>
	<p>* Custom Lengths Available Upon Request</p>		

Performance Specifications	English	Metric	Environmental	English	Metric
Sensitivity ±10%	50 mV/g	50 mV/g	Temperature Range	-58 to 250° F	-50 to 121° C
Frequency Response ±3 dB	60-600,000 CPM	1,0-10000 Hz	Maximum Shock Protection	5,000 g, peak	5000 g, peak
±10%	240-360,000 CPM	4,0-6000 Hz	Electromagnetic Sensitivity	CE	CE
Dynamic Range	±100 g, peak	±100 g, peak	Sealing	Welded, Hermetic	Welded, Hermetic
Electrical			Submersible Depth (AC118-2A)	500 ft.	152 m
Settling Time (Turn on Time) @ Room Temp (68°F/20°C)	<2 Seconds	<2 Seconds	Physical		
Power Requirement			Sensing Element	PZT Ceramic	PZT Ceramic
Voltage Source	18-30 VDC	18-30 VDC	Sensing Structure	Shear Mode	Shear Mode
Constant Current Excitation	2-10 mA	2-10 mA	Weight	5.1 oz.	145 grams
Electrical Noise (Typical)			Case Material	316L Stainless Steel	316L Stainless Steel
Broadband 2.5 Hz to 25 kHz	200 σg, rms	200 σg, rms	Mounting Hole	1/4-28	1/4-28
Spectral 10 Hz	8 σg/√Hz	8 σg/√Hz	Connector (AC118-1A)	2 Pin MIL-C-5015	2 Pin MIL-C-5015
100 Hz	2.5 σg/√Hz	2.5 σg/√Hz	Integral Cable (AC118-2A)	CB103	CB103
1000 Hz	1.7 σg/√Hz	1.7 σg/√Hz	Armored Cable (AC118-3A)	CB206, Armor Jacket	CB206, Armor Jacket
Output Impedance, Max	<100 ohm	<100 ohm	Mechanical		
Bias Output Voltage	10-14 VDC	10-14 VDC	Resonant Frequency	1,260,000 CPM	21000 Hz
Electrical Case Isolation	>10 ⁸ ohm	>10 ⁸ ohm	Mounting Torque	2 to 5 ft. lbs.	2,7 to 6,8 Nm
			Supplied Accessories		
			Mounting Hardware	1/4-28 Captive Bolt	M6x1 Captive Bolt
			Calibration Certificate	CA10	CA10

Common Applications

Industries Served

- Automotive
- Petrochemical
- Steel
- Manufacturing
- Pharmaceutical
- Wastewater Treatment
- Military
- Power
- Mining
- Pulp and Paper

Typical Applications

- Air Compressors
- Dryer Sections <250° F (121° C)
- Motors
- Pumps, Underwater
- Air Handlers
- Fans
- Press Sections
- Roll and Process Equipment
- Conveyors
- Fourdriners
- Presses and Stamping
- Spindles
- Cooling Towers
- Gear Boxes
- Pumps

Measurement Types

- Permanent Mount
- Portable

For optional accessories, please see the [Sensor Accessory Selection Chart](#).



VIBRATION ANALYSIS HARDWARE