
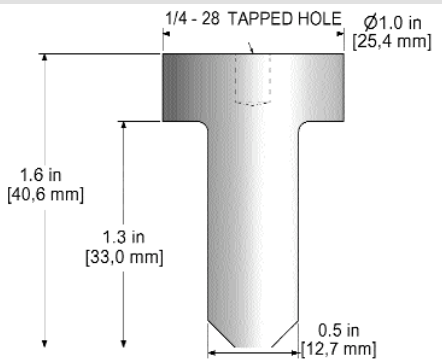
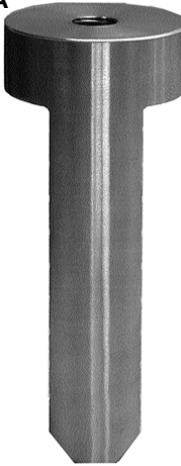
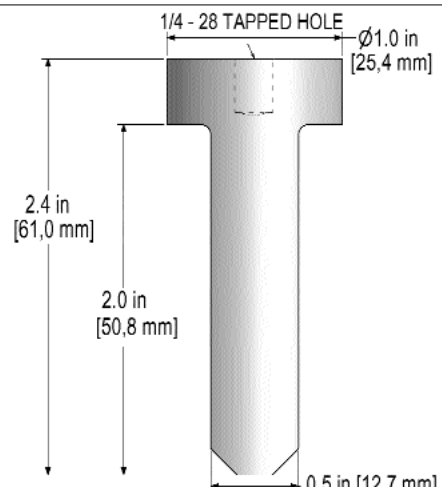

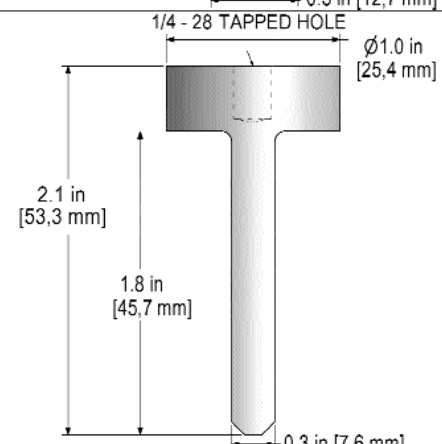

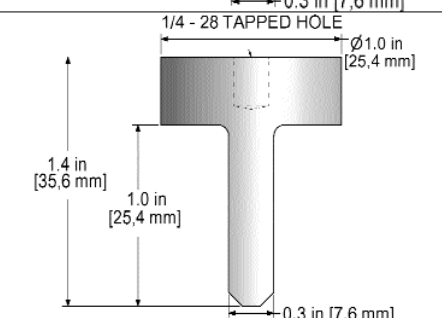
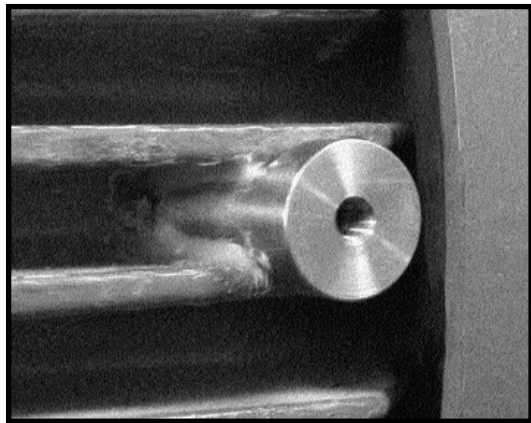


Motor Fin Mount Probe / Pads

Part No.	Image	Drawing
MH118-1A		
MH118-2A		
MH118-3A		
MH118-4A		



For use with Portable Route Measurements or Permanently Mounted Accelerometers

Material: 17-4 Stainless Steel
Portable Route Measurements: Attracts Magnetic Bases
Permanent Mount: 1/4-28 Tapped Hole
Surface Flatness: .0005
Installation Procedure: Epoxy Mount Probe Shaft Between Cooling Fins
Recommended Mounting Epoxy: CTC MH109-2A
Supplied Accessories: Protective Cap Cover
 * Epoxy (With purchase of 50 piece kits or more)

Pre-Packaged Quantity Kits
 *(Mounting Epoxy Included)

Part No.	Qty. 50	Qty. 100	Qty. 200
MH118-1A	MH118-1B	MH118-1C	MH118-1D
MH118-2A	MH118-2B	MH118-2C	MH118-2D
MH118-3A	MH118-3B	MH118-3C	MH118-3D
MH118-4A	MH118-4B	MH118-4C	MH118-4D

Assortment Kit *(Mounting Epoxy Included)

MH118-5A	10 Pieces each of:	MH118-1A MH118-2A MH118-3A MH118-4A
----------	--------------------	--