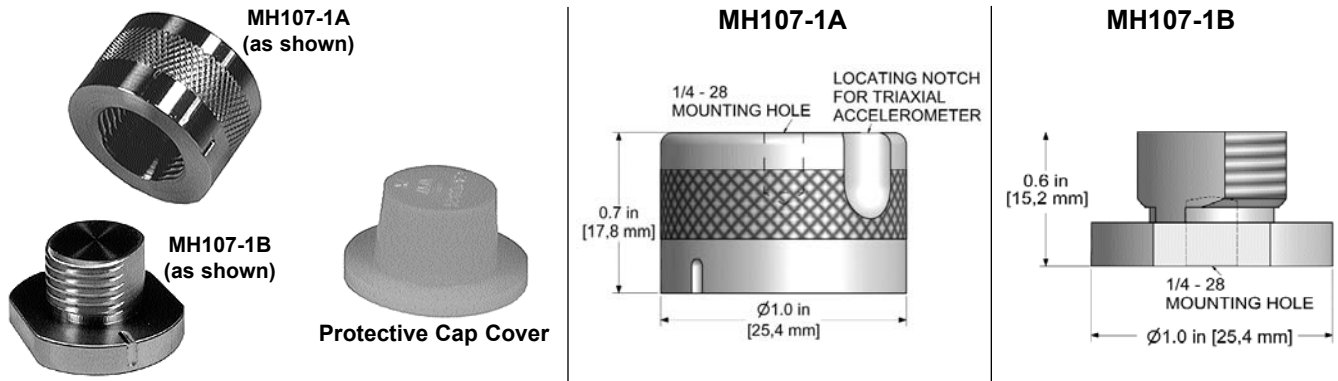


Accelerometer Quick Disconnects



Performance Specifications

Broad Frequency Response	0-390,000 CPM (0-6500 Hz)
Rugged	Engages five threads in 1/4 turn
Corrosion Resistant	316L Stainless Steel
Easy to Install	Quick Disconnect Stud may be epoxied or stud mounted
90 Degree Engagement	For accurate, repeatable readings with triaxial accelerometers

Ordering Information

MH107-1A	Quick Disconnect Receptacle
MH107-1B	Quick Disconnect Stud with Protective Cap Cover

Pre-Packaged Quantity Kits

Kit Part Number	Receptacle (MH107-1A) Qty.	Stud and Cap Cover (MH107-1B) Qty.	Loctite Depend Adhesive
MH107-1C	2	50	.85 oz. with Activator
MH107-1D	3	100	.85 oz. with Activator
MH107-1E	4	200	Industrial Size with Activator
MH107-1F	6	300	Industrial Size with Activator
MH107-1G	8	400	Industrial Size with Activator
MH107-1H	10	500	Industrial Size with Activator
MH107-1J	20	1,000	(2) Industrial Size with Activator

DLI Customers: Please contact factory for DLI version of the Quick disconnect receptacle with 10-32 tapped hole, part number MH106-1A