

Specifications

Electrical

Inputs	Terminal Block 3 Inputs per Channel (+,-,Shield)
Output (Switched)	BNC Jack and 2 Pin MIL Electrically Isolated
(Continuous)	12 BNC Jacks Electrically Isolated

Enclosure

Rating	NEMA 4X (IP66)
Door Closure	Twist Latch
Material	Stainless Steel

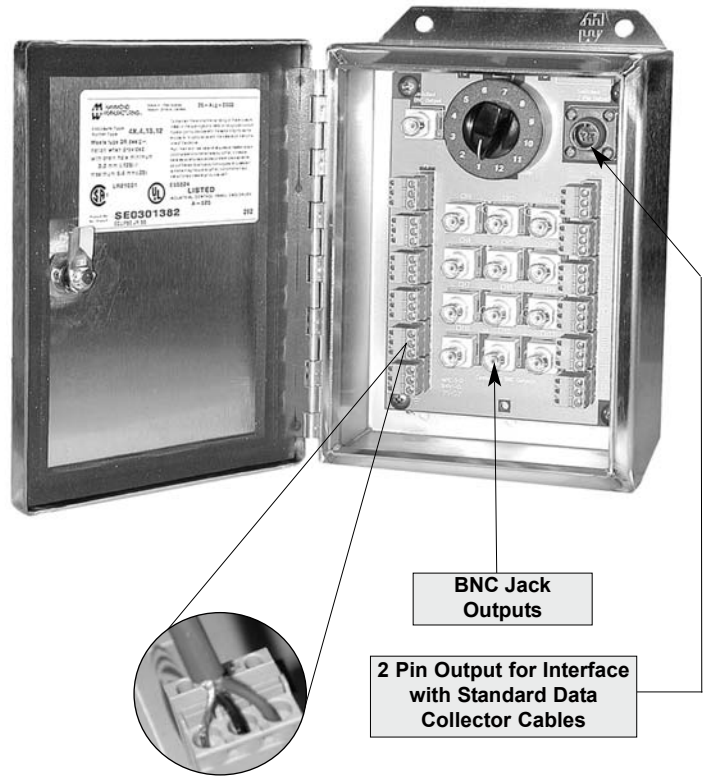
Environmental

Temperature Rating	-50° to 180° F (-58° to 82° C)
Resistance	Resistant to Hose Directed Fluid and Corrosion

Features

- Provides a switched output to a data collector, or continuous outputs to a signal recorder or multi-channel analyzer
- Allows simultaneous collection of multiple signals
- Withstands harsh factory environments
- Quick release input terminal blocks
- Twist latch for easy and secure door closure

Model SB252-12A (as shown)

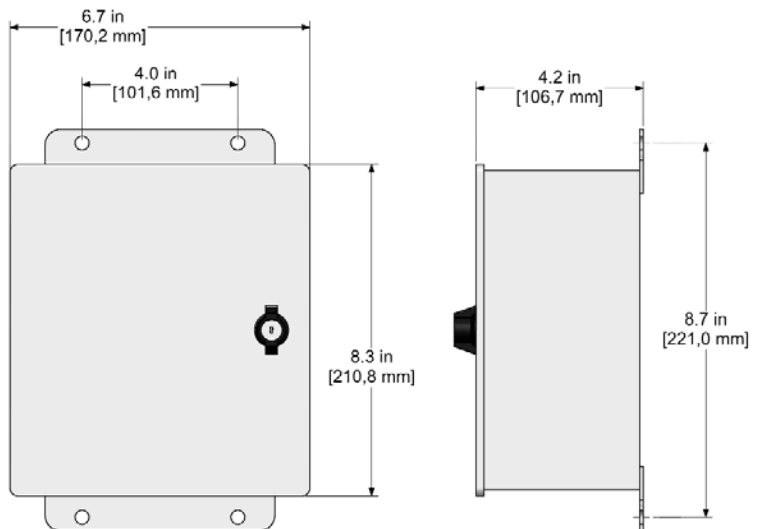


Ordering Information

Part Number	Channels	Factory Installed Cable Entry
SB252-6A	6	*User Defined
SB252-6B	6	**1" Conduit Fitting
SB252-6C	6	Cord Grips
SB252-12A	12	*User Defined
SB252-12B	12	**1 1/4" Conduit Fitting
SB252-12C	12	Cord Grips

Supplied Accessories: • Mounting Brackets
• Measurement Location Card

* No punch outs are provided in the enclosure for cable entry. User may install any fitting required.
** For use with rigid body conduit.



Note: In order to identify mounting hole dimensions, mounting feet are not proportionally displayed to the box in the above drawing