

SB202 Series

Stainless Steel Switch Boxes, 4-12 Channels

Specifications

Electrical

Inputs	Terminal Block 3 Inputs per Channel (+,-,Shield)
Switched Output	BNC Jack and 2 Pin MIL
Continuous Output	Multi-pin connector for interface with on line systems

Enclosure

Rating	NEMA 4X (IP66)
Door Closure	Twist Latch
Material	Stainless Steel

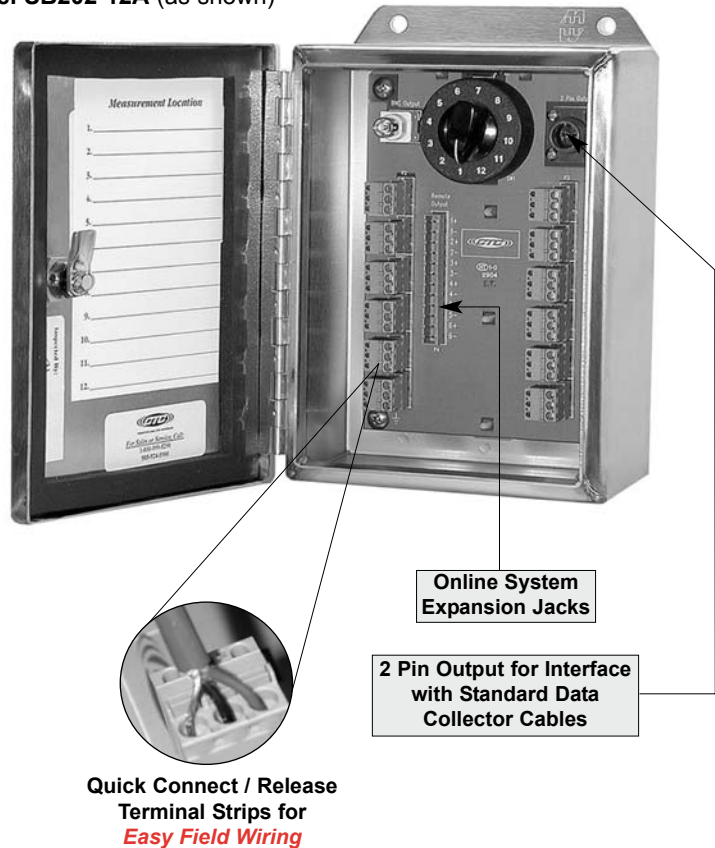
Environmental

Temperature Rating	-50° to 180° F (-58° to 82° C)
Resistance	Resistant to Hose Directed Fluid and Corrosion

Features

- Provides a switched output from remotely installed accelerometers to a data collector through a BNC and a 2 pin MIL spec connector
- Withstands harsh factory environments
- Expandable to online systems by a quick release multi-socket connector
- Accepts inputs from:
 - Accelerometers
 - Proximity Probes
 - Tachometers
 - Temperature Probes
- Quick release input terminal blocks
- Twist latch for easy and secure door closure

Model SB202-12A (as shown)

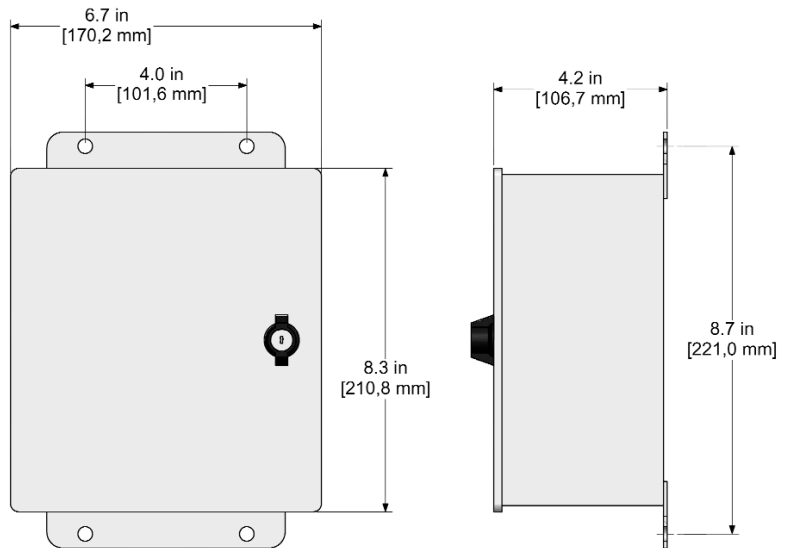


Ordering Information

Part Number	Channels	Factory Installed Cable Entry
SB202-4A	4	*User Defined
SB202-4B	4	**3/4" Conduit Fitting
SB202-4C	4	Cord Grips
SB202-6A	6	*User Defined
SB202-6B	6	**1" Conduit Fitting
SB202-6C	6	Cord Grips
SB202-8A	8	*User Defined
SB202-8B	8	**1" Conduit Fitting
SB202-8C	8	Cord Grips
SB202-10A	10	*User Defined
SB202-10B	10	**1 1/4" Conduit Fitting
SB202-10C	10	Cord Grips
SB202-12A	12	*User Defined
SB202-12B	12	**1 1/4" Conduit Fitting
SB202-12C	12	Cord Grips

- Supplied Accessories:**
- Mounting Brackets
 - Measurement Location Card
- Optional Accessory:**
- JB905-1A - Multi socket output connector for online systems interface

* No punch outs are provided in the enclosure for cable entry. User may install any fitting required.
 ** For use with rigid body conduit.



Note: In order to identify mounting hole dimensions, mounting feet are not proportionally displayed to the box in the above drawing