

MX303-12 Series

DLI Compatible Triaxial MAXX Box, 12 Channels

Specifications

Electrical

Inputs Terminal Block
3 Inputs per Channel (+,-,Shield)

Enclosure

Rating NEMA 4X (IP66)
Door Closure Twist Latch
Material Fiberglass

Environmental

Temperature Rating -50° to 180° F (-58° to 82° C)
Resistance Resistant to Hose Directed Fluid and Corrosion

Features

- Connects remotely installed accelerometers to DLI Data Collectors
- Withstands harsh factory and outdoor environments
- Quick release input terminal blocks located behind hinged panel
- Twist latch for easy and secure door closure

Model MX303-12A (as shown)



4 Pin Output
for Interface with DLI
Data Collector Cables



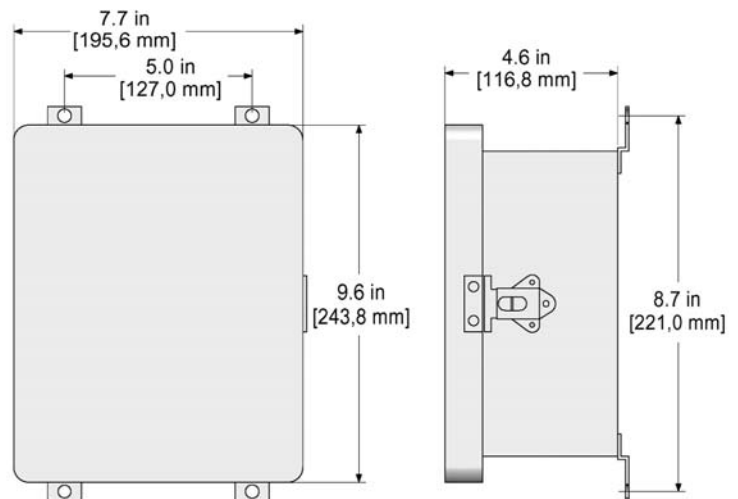
Ordering Information

Part Number	Channels	Factory Installed Cable Entry
MX303-12A	12	*User Defined
MX303-12B	12	**1 1/4" Conduit Fitting
MX303-12C	12	12 Cord Grips
MX303-12D	12	4 Cord Grips

Supplied Accessories: • Mounting Brackets
• Measurement Location Card

* No punch outs are provided in the enclosure for cable entry. User may install any fitting required.

** For use with rigid body conduit.



Note: In order to identify mounting hole dimensions, mounting feet are not proportionally displayed to the box in the above drawing