

MX102 Series

Fiberglass MAXX Boxes

Specifications

Electrical

Inputs	Terminal Block 3 Inputs per Channel (+,-,Shield)
Output	BNC Jack Per Channel Electrically Isolated

Enclosure

Rating	NEMA 4X (IP66)
Door Closure	Twist Latch
Material	Fiberglass

Environmental

Temperature Rating	-50° to 180° F (-58° to 82° C)
Resistance	Resistant to Hose Directed Fluid and Corrosion

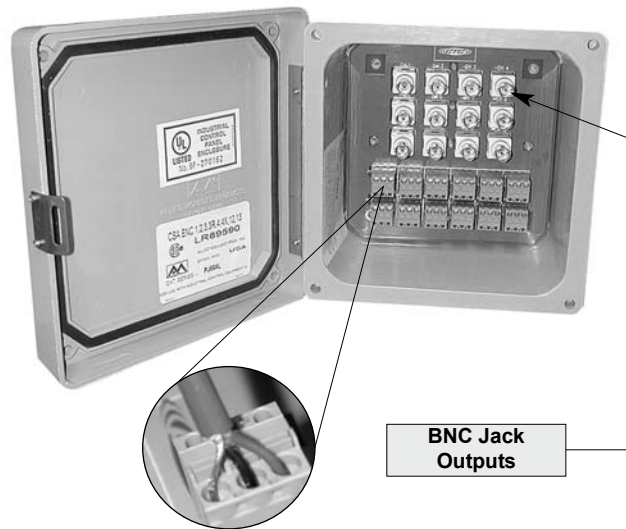
Features

- **Cost Effective**
- **Connects Remotely Installed Accelerometers to Portable Data Collectors**
- **Withstands Harsh Factory and Outdoor Environments**
- **Quick release input terminal blocks**

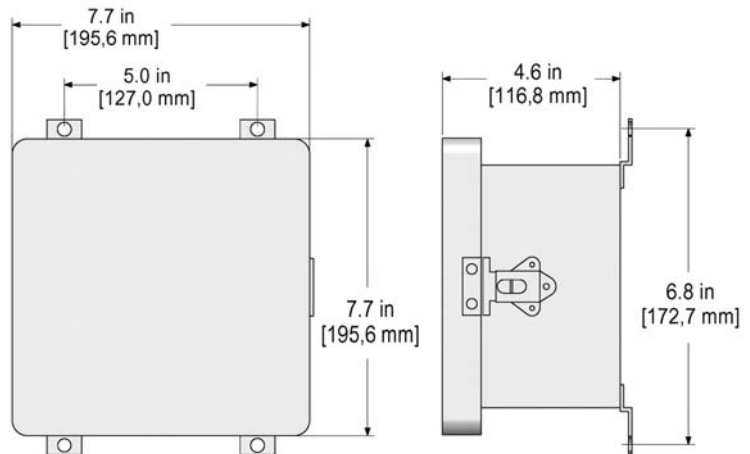
Ordering Information

Part Number	Channels	Factory Installed Cable Entry
MX102-1A	1	*User Defined
MX102-1B	1	**3/4" Conduit Fitting
MX102-1C	1	Cord Grips
MX102-2A	2	*User Defined
MX102-2B	2	**3/4" Conduit Fitting
MX102-2C	2	Cord Grips
MX102-3A	3	*User Defined
MX102-3B	3	**3/4" Conduit Fitting
MX102-3C	3	Cord Grips
MX102-4A	4	*User Defined
MX102-4B	4	**3/4" Conduit Fitting
MX102-4C	4	Cord Grips
MX102-5A	5	*User Defined
MX102-5B	5	**3/4" Conduit Fitting
MX102-5C	5	Cord Grips
MX102-6A	6	*User Defined
MX102-6B	6	**1" Conduit Fitting
MX102-6C	6	Cord Grips
MX102-7A	7	*User Defined
MX102-7B	7	**1" Conduit Fitting
MX102-7C	7	Cord Grips
MX102-8A	8	*User Defined
MX102-8B	8	**1" Conduit Fitting
MX102-8C	8	Cord Grips
MX102-9A	9	*User Defined
MX102-9B	9	**1" Conduit Fitting
MX102-9C	9	Cord Grips

Model MX102-12A (as shown)



Quick Connect / Release Terminal Strips for Easy Field Wiring



Note: In order to identify mounting hole dimensions, mounting feet are not proportionally displayed to the box in the above drawing

Ordering Information, Continued

Part Number	Channels	Factory Installed Cable Entry
MX102-10A	10	*User Defined
MX102-10B	10	**1 1/4" Conduit Fitting
MX102-10C	10	Cord Grips
MX102-11A	11	*User Defined
MX102-11B	11	**1 1/4" Conduit Fitting
MX102-12A	12	*User Defined
MX102-12B	12	**1 1/4" Conduit Fitting

Supplied Accessories: • Mounting Brackets • Measurement Location Card

* No punch outs are provided in the enclosure for cable entry. User may install any fitting required. ** For use with rigid body conduit.