

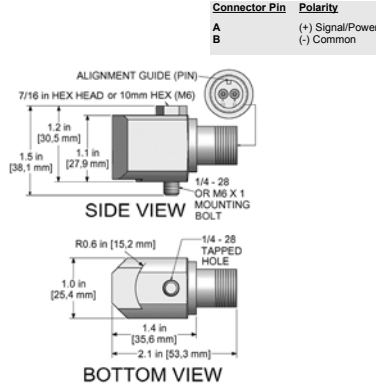
AC906 Series

Intrinsically Safe Accelerometer, Side Exit Connector / Cable, 100 mV/g



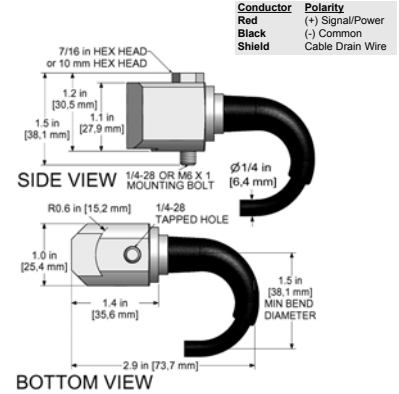
AC906-1A

2 Pin Connector



AC906-2A

Integral Cable



Part Numbers & Ordering Information:

When Ordering Metric, add "M" prefix.
(Example: M/AC906-2A/010-Z)

AC906-1A Intrinsically safe accelerometer, 100 mV/g, 2 pin side connector

AC906-2A/010-Z	10 ft. (3 m), blunt cut end
AC906-2A/020-Z	20 ft. (6 m), blunt cut end
AC906-2A/030-Z	30 ft. (9 m), blunt cut end
AC906-2A/050-Z	50 ft. (15 m), blunt cut end
AC906-2A/100-Z	100 ft. (30 m), blunt cut end

* Custom Lengths Available Upon Request

Performance Specifications	English	Metric	Environmental	English	Metric
Sensitivity ±10%	100 mV/g	100 mV/g	Temperature Range	-58 to 250° F	-50 to 121° C
Frequency Response ±3 dB ±10%	30-516,000 CPM	0.5-8600 Hz	Maximum Shock Protection	5,000 g, peak	5000 g, peak
Dynamic Range	60-300,000 CPM	1.0-5000 Hz	Electromagnetic Sensitivity	CE	CE
Electrical	±50 g, peak	±50 g, peak	Sealing	Welded, Hermetic	Welded, Hermetic
Settling Time (Turn on Time) @ Room Temp (68°F/20°C)	<3 Seconds	<3 Seconds	Submersible Depth (AC906-2A)	200 ft.	61 m
Power Requirement			Physical		
Voltage Source	18-28 VDC	18-28 VDC	Sensing Element	PZT Ceramic	PZT Ceramic
Constant Current Excitation	2-4 mA	2-4 mA	Sensing Structure	Shear Mode	Shear Mode
Electrical Noise (Typical)			Weight	5.3 oz.	150 grams
Broadband 2.5 Hz to 25 kHz	200 σg, rms	200 σg, rms	Case Material	316L Stainless Steel	316L Stainless Steel
Spectral 10 Hz	6.5 σg/√Hz	6.5 σg/√Hz	Mounting Hole	1/4-28	1/4-28
100 Hz	2 σg/√Hz	2 σg/√Hz	Connector (AC906-1A)	2 Pin MIL-C-5015	2 Pin MIL-C-5015
1000 Hz	1.8 σg/√Hz	1.8 σg/√Hz	Integral Cable (AC906-2A)	CB103	CB103
Output Impedance, Max	<100 ohm	<100 ohm	Mechanical		
Bias Output Voltage	10-14 VDC	10-14 VDC	Resonant Frequency	1,080,000 CPM	18000 Hz
Electrical Case Isolation	>10 ⁸ ohm	>10 ⁸ ohm	Mounting Torque	2 to 5 ft. lbs.	2.7 to 6.8 Nm
			Supplied Accessories		
			Mounting Hardware	1/4-28 Captive Bolt	M6x1 Captive Bolt
			Calibration Certificate	CA10	CA10

Common Applications

Industries Served

- Chemical
- Mining
- Manufacturing
- Painting / Plating
- Military
- Petrochemical

Typical Applications

- Machinery in Volatile Environments

Measurement Types

- Permanent Mount

Regulatory Approvals

- **US & Canadian Standards:** Division 1, Classes I, II, III, Groups A-F
- **ATEX:** Zone 0

***Proper IS Barrier selection required, please refer to the Overview on Intrinsic Safety**

For optional accessories, please see the "Sensor Accessory Selection Chart".



VIBRATION ANALYSIS HARDWARE