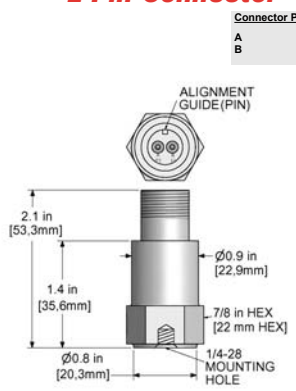


AC903 Series

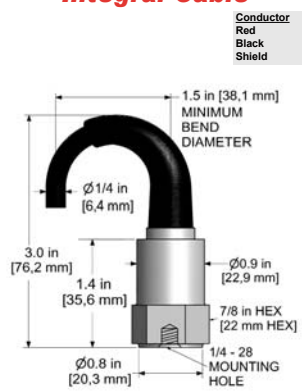
Intrinsically Safe Accelerometer, Top Exit Connector / Cable, 50 mV/g



AC903-1A 2 Pin Connector



AC903-2A Integral Cable



Part Numbers & Ordering Information:	AC903-1A	AC903-2A	
		Part Number	Length
<p>Part Numbers & Ordering Information:</p> <p>When Ordering Metric, add "M" prefix. (Example: M/AC903-2A/010-Z)</p>	<p>Intrinsically safe accelerometer, 50 mV/g, 2 pin top connector</p>	AC903-2A/010-Z	10 ft. (3 m), blunt cut end
		AC903-2A/020-Z	20 ft. (6 m), blunt cut end
		AC903-2A/030-Z	30 ft. (9 m), blunt cut end
		AC903-2A/050-Z	50 ft. (15 m), blunt cut end
		AC903-2A/100-Z	100 ft. (30 m), blunt cut end

* Custom Lengths Available Upon Request

Performance Specifications	English	Metric	Environmental	English	Metric
Sensitivity ±10%	50 mV/g	50 mV/g	Temperature Range	-58 to 250° F	-50 to 121° C
Frequency Response			Maximum Shock Protection	5,000 g, peak	5000 g, peak
±3 dB	60-900,000 CPM	1,0-15000 Hz	Electromagnetic Sensitivity	CE	CE
±10%	120-240,000 CPM	2,0-4000 Hz	Sealing	Welded, Hermetic	Welded, Hermetic
Dynamic Range	±100 g, peak	±100 g, peak	Submersible Depth (AC903-2A)	200 ft.	61 m
Electrical			Physical		
Settling Time (Turn on Time) @ Room Temp (68°F/20°C)	<3 Seconds	<3 Seconds	Sensing Element	PZT Ceramic	PZT Ceramic
Power Requirement			Sensing Structure	Shear Mode	Shear Mode
Voltage Source	18-28 VDC	18-28 VDC	Weight	3.2 oz.	90 grams
Constant Current Excitation	2-4 mA	2-4 mA	Case Material	316L Stainless Steel	316L Stainless Steel
Electrical Noise (Typical)			Mounting Hole	1/4-28	1/4-28
Broadband 2.5 Hz to 25 kHz	200 σg, rms	200 σg, rms	Connector (AC903-1A)	2 Pin MIL-C-5015	2 Pin MIL-C-5015
10 Hz	9 σg/√Hz	9 σg/√Hz	Integral Cable (AC903-2A)	CB103	CB103
100 Hz	2 σg/√Hz	2 σg/√Hz	Mechanical		
1000 Hz	1.6 σg/√Hz	1.6 σg/√Hz	Resonant Frequency	1,500,000 CPM	25000 Hz
Output Impedance, Max	<100 ohm	<100 ohm	Mounting Torque	2 to 5 ft. lbs.	2,7 to 6,8 Nm
Bias Output Voltage	10-14 VDC	10-14 VDC	Supplied Accessories		
Electrical Case Isolation	>10 ⁸ ohm	>10 ⁸ ohm	Mounting Hardware	1/4-28 Stud	M6x1 Adapter Stud
			Calibration Certificate	CA10	CA10

Common Applications

- Industries Served**
- Chemical
 - Mining
 - Manufacturing
 - Painting / Plating
 - Military
 - Petrochemical
- Typical Applications**
- Machinery in Volatile Environments
- Measurement Types**
- Permanent Mount

Regulatory Approvals

- **US & Canadian Standards:** Division 1, Classes I, II, III, Groups A-F
- **ATEX:** Zone 0

***Proper IS Barrier selection required, please refer to the Overview on Intrinsic Safety**

For optional accessories, please see the *Sensor Accessory Selection Chart*.

