

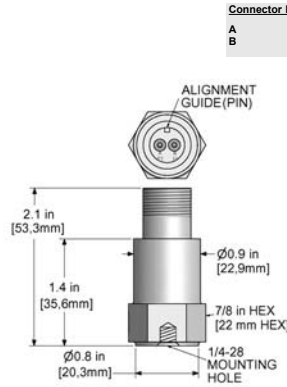
AC901 Series

Intrinsically Safe Accelerometer, Top Exit Connector / Cable, 10 mV/g



AC901-1A

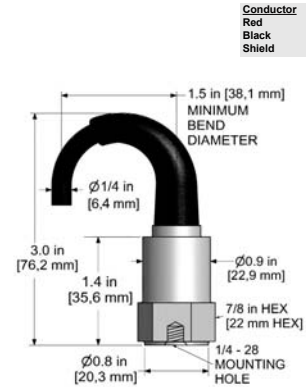
2 Pin Connector



Connector Pin	Polarity
A	(+) Signal/Power
B	(-) Common

AC901-2A

Integral Cable



Conductor	Polarity
Red	(+) Signal/Power
Black	(-) Common
Shield	Cable Drain Wire

Part Numbers & Ordering Information:	AC901-1A	Intrinsically safe accelerometer, 10 mV/g, 2 pin top connector	AC901-2A	
			Part Number	Length
<p>Part Numbers & Ordering Information:</p> <p>When Ordering Metric, add "M" prefix. (Example: M/AC901-2A/010-Z)</p>	AC901-2A/010-Z	10 ft. (3 m), blunt cut end		
	AC901-2A/020-Z	20 ft. (6 m), blunt cut end		
	AC901-2A/030-Z	30 ft. (9 m), blunt cut end		
	AC901-2A/050-Z	50 ft. (15 m), blunt cut end		
	AC901-2A/100-Z	100 ft. (30 m), blunt cut end		

* Custom Lengths Available Upon Request

Performance Specifications	English	Metric	Environmental	English	Metric
	<p>Sensitivity ±10%</p> <p>Frequency Response ±3 dB ±10%</p> <p>Dynamic Range</p> <p>Electrical</p> <p>Settling Time (Turn on Time) @ Room Temp (68°F/20°C)</p> <p>Power Requirement</p> <p>Voltage Source</p> <p>Constant Current Excitation</p> <p>Electrical Noise (Typical)</p> <p>Broadband 2.5 Hz to 25 kHz</p> <p>Spectral</p> <p>10 Hz</p> <p>100 Hz</p> <p>1000 Hz</p> <p>Output Impedance, Max</p> <p>Bias Output Voltage</p> <p>Electrical Case Isolation</p>	<p>10 mV/g</p> <p>72-900,000 CPM</p> <p>150-360,000 CPM</p> <p>±500 g, peak</p> <p><3 Seconds</p> <p>18-28 VDC</p> <p>2-4 mA</p> <p>3800 σg, rms</p> <p>500 σg/√Hz</p> <p>65 σg/√Hz</p> <p>11 σg/√Hz</p> <p><100 ohm</p> <p>10-14 VDC</p> <p>>10⁸ ohm</p>		<p>10 mV/g</p> <p>1,2-15000 Hz</p> <p>2,5-6000 Hz</p> <p>±500 g, peak</p> <p><3 Seconds</p> <p>18-28 VDC</p> <p>2-4 mA</p> <p>3800 σg, rms</p> <p>500 σg/√Hz</p> <p>65 σg/√Hz</p> <p>11 σg/√Hz</p> <p><100 ohm</p> <p>10-14 VDC</p> <p>>10⁸ ohm</p>	<p>Temperature Range</p> <p>Maximum Shock Protection</p> <p>Electromagnetic Sensitivity</p> <p>Sealing</p> <p>Submersible Depth (AC901-2A)</p> <p>Physical</p> <p>Sensing Element</p> <p>Sensing Structure</p> <p>Weight</p> <p>Case Material</p> <p>Mounting Hole</p> <p>Connector (AC901-1A)</p> <p>Integral Cable (AC901-2A)</p> <p>Mechanical</p> <p>Resonant Frequency</p> <p>Mounting Torque</p> <p>Supplied Accessories</p> <p>Mounting Hardware</p> <p>Calibration Certificate</p>

Common Applications

Industries Served

- Chemical
- Mining
- Manufacturing
- Painting / Plating
- Military
- Petrochemical

Typical Applications

- Machinery in Volatile Environments

Measurement Types

- Permanent Mount

Regulatory Approvals

- **US & Canadian Standards:** Division 1, Classes I, II, III, Groups A-F
- **ATEX:** Zone 0

***Proper IS Barrier selection required, please refer to the Overview on Intrinsic Safety**

For optional accessories, please see the "Sensor Accessory Selection Chart".



VIBRATION ANALYSIS HARDWARE